

WIDE SLOT TAKE-UP FRAMES



European Metric and American Standard Industrial Power Transmission Products

PTI TUWS series Wide Slot Take-up Frames are fabricated from heavy duty plate steel. The frames are assembled so that there is less play between the bearing and frame compared to competitive brands, resulting in smoother operation of the unit.



KEY FEATURES

- Interchangeable with Competitive Brands
- Welded Steel Construction
- Compact Design
- Side Mount
- Sizes 300, 308, 400 and 502
- Travel lengths of 6", 12" 18" and 24"

TUWS INTERCHANGE GUIDE

PTI Frame	PPI Frame	Martin Frame	Dodge Frame
TUWS300	PWS100	MWS300	WS300
TUWS308	PWS108	MWS308	WS308
TUWS400	PWS200	MWS400	WS400
TUWS502	PWS208	MWS502	WS502

PRODUCT DETAILS

- Optional Stainless Steel Screws
- Nickel Plated and Stainless Steel Frame Available (Made to Order)
- Fit PTI Normal Duty (WS200) and Medium Duty (WSX) Take-Up Housings and Competitive Wide-Slot Brands
- Wide Range of Inserts Available from PTI:
 - Setscrew (UC and UCX) | Eccentric Collar (HC)
 - Concentric Clamp Collar (CL) | Tapered Adapter Sleeve (GSH and UK)
- Bore Range:
 - Normal Duty (WS200) = 3/4" - 2-7/16", 20mm- 60mm
 - Medium Duty (WSX00) = 1" - 2-1/4", 25mm-55mm



BEARING SELECTION GUIDE

PTI Frame Size	Available Travel Lengths	Normal Duty Housing Size(s)	Common Shaft Sizes - Normal Duty	Medium Duty Housing Size(s)	Common Shaft Sizes - Medium Duty
TUWS300	6", 12"	WS204, WS205	3/4" - 1", 20mm, 25mm	N/A	N/A
TUWS308	6", 12", 18"	WS206, WS207	1-1/8" - 1-7/16", 30mm, 35mm	WSX05, WSX06	1" - 1-1/4", 25mm, 30mm
TUWS400	6", 12", 18"	WS208, WS209, WS210	1-1/2" - 2", 40mm, 45mm, 50mm	WSX07, WSX08, WSX09	1-1/4" - 1-3/4", 35mm, 40mm, 45mm
TUWS502	6", 12", 18", 24"	WS211, WS212	2" - 2-7/16", 55mm, 60mm	WSX10, WSX11	1-15/16" - 2-1/4", 50mm, 55mm



PTI Corporate Headquarters Charlotte, NC - USA
 24/7 Inside Sales: 704-588-1091 Toll-Free: 800-763-4434
 ptinfo@ptintl.com

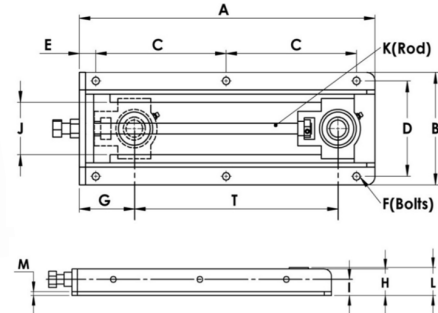
www.ptintl.com

WIDE SLOT TAKE-UP FRAMES



Nomenclature:

TU = Take Up Frame
 WS = Wide Slot Housing
 300 = 3" (Slot Opening in WS Housing)
 308 – 3-8/16" = 3-1/2" Opening
 400 = 4"
 502 = 5-1/8"
 x 6 = Inches of Travel



Size / Part No.	Part No. with SS Threaded Rod	Use With Housing	For Shaft Sizes (mm / in)	Dimensions (in)																
				Travel T (in)	A	B	C	D	E	F Ø	Bolt Size	No. of Bolts	G	H	I	J	K (Rod)	L	M	Wt. Lb.
TUWS300x6	TUWS300x6SR	WS204	20mm, 3/4	6	12.00	6.56	4.94	5.56	1	0.44	3/8	6	3.28	1.75	1.06	3.05	M16	1.78	0.25	7
		WS205	25mm, 7/8, 15/16, 1															1.84		
TUWS300x12	TUWS300x12SR	WS204	20mm, 3/4	12	18.00	6.56	7.94	5.56	1	0.44	3/8	6	3.28	1.75	1.06	3.05	M16	1.78	0.25	10
		WS205	25mm, 7/8, 15/16, 1															1.84		
TUWS308x6	TUWS308x6SR	WS206	30mm, 1-1/8, 1-3/16, 1-1/4	6	12.13	7.06	10.44	6.06	1	0.44	3/8	4	3.53	1.94	1.25	3.55	TR20	2.12	0.25	8
		WS207	35mm, 1-1/4, 1-3/8, 1-7/16															2.25		
TUWS308x12	TUWS308x12SR	WS206	30mm, 1-1/8, 1-3/16, 1-1/4	12	18.13	7.06	7.72	6.06	1	0.44	3/8	6	3.53	1.94	1.25	3.55	TR20	2.12	0.25	11
		WS207	35mm, 1-1/4, 1-3/8, 1-7/16															2.25		
TUWS308x18	TUWS308x18SR	WS206	30mm, 1-1/8, 1-3/16, 1-1/4	18	24.13	7.06	10.72	6.06	1	0.44	3/8	6	3.53	1.94	1.25	3.55	TR20	2.12	0.25	14
		WS207	35mm, 1-1/4, 1-3/8, 1-7/16															2.25		
TUWS400x6	TUWS400x6SR	WS208	40mm, 1-1/2	6	13.75	8.81	11.50	7.31	1.13	0.50	7/16	4	4.41	2.13	1.44	4.05	M24	2.63	0.25	15
		WS209	45mm, 1-5/8, 1-11/16, 1-3/4															2.63		
		WS210	50mm, 1-7/8, 1-15/16, 2															2.72		
TUWS400x12	TUWS400x12SR	WS208	40mm, 1-1/2	12	19.75	8.81	8.75	7.31	1.13	0.50	7/16	6	4.41	2.13	1.44	4.05	M24	2.63	0.25	19
		WS209	45mm, 1-5/8, 1-11/16, 1-3/4															2.63		
		WS210	50mm, 1-7/8, 1-15/16, 2															2.72		
TUWS400x18	TUWS400x18SR	WS208	40mm, 1-1/2	18	25.75	8.81	11.75	7.31	1.13	0.50	7/16	6	4.41	2.13	1.44	4.05	M24	2.63	0.25	24
		WS209	45mm, 1-5/8, 1-11/16, 1-3/4															2.63		
		WS210	50mm, 1-7/8, 1-15/16, 2															2.72		
TUWS502x6	TUWS502x6SR	WS211	55mm, 2, 2-1/8, 2-3/16	6	14.75	10.44	12.50	8.63	1.13	0.56	1/2	4	5.22	2.50	1.50	5.13	M30	2.81	0.19	20
		WS212	60mm, 2-1/4, 2-3/8, 2-7/16															3.06		
TUWS502x12	TUWS502x12SR	WS211	55mm, 2, 2-1/8, 2-3/16	12	20.75	10.44	9.25	8.63	1.13	0.56	1/2	6	5.22	2.50	1.50	5.13	M30	2.81	0.25	29
		WS212	60mm, 2-1/4, 2-3/8, 2-7/16															3.06		
TUWS502x18	TUWS502x18SR	WS211	55mm, 2, 2-1/8, 2-3/16	18	26.75	10.44	12.25	8.63	1.13	0.56	1/2	6	5.22	2.50	1.50	5.13	M30	2.81	0.25	35
		WS212	60mm, 2-1/4, 2-3/8, 2-7/16															3.06		
TUWS502x24	TUWS502x24SR	WS211	55mm, 2, 2-1/8, 2-3/16	24	32.75	10.44	15.25	8.63	1.13	0.56	1/2	6	5.22	2.50	1.50	5.13	M30	2.81	0.25	42
		WS212	60mm, 2-1/4, 2-3/8, 2-7/16															3.06		



PTI Corporate Headquarters Charlotte, NC - USA
 24/7 Inside Sales: 704-588-1091 Toll-Free: 800-763-4434
 ptinfo@ptintl.com

www.ptintl.com

FL007—3.2018