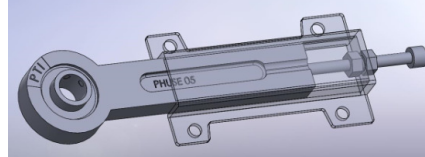




PHUSE Take-Up Frames

European **Metric** and American Standard Industrial Power Transmission Products

PTI PHUSE series Take-up Frames provide for a simple and economical solution in applications requiring the ability to adjust belt tension. PTI PHUSE Take-Up Frames include a cast iron housing for the bearing and a plate steel cover connected to a threaded rod to allow for tensioning.



3D Models Available

PHUSE Features

- ▶ Interchangeable with Competitive Brands
- ▶ Compact Design
- ▶ Side Mount
- ▶ Easy Adjustment
- ▶ 5 Sizes, 25-50mm and 7/8" - 2" Bore
- ▶ Up to 80mm (3.15)" of Travel

PTI PHUSE Product Availability

Part No.	Bore Sizes	Housing Size	Cover Size
PHUSE205	25mm, 7/8", 15/16", 1"	HUSE205	HUSE05-06-07
PHUSE206	30mm, 1-1/8", 1-3/16", 1-14"	HUSE206	HUSE05-06-07
PHUSE207	35mm, 1-14", 1-3/8", 1-7/16"	HUSE207	HUSE05-06-07
PHUSE208	40mm, 1-1/2"	HUSE208	HUSE08-10
PHUSE210	50mm, 1-7/8", 1-15/16", 2"	HUSE210	HUSE08-10

PHUSE Take-Up Frames Are Designed For a Wide Range of Applications

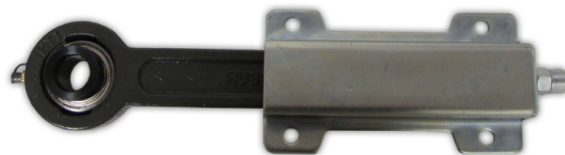
- ▶ Unit Handling, Packaging, Conveyors



PHUSE 205 and PHUSE 210
Shown Without Covers



Minimally Extended PHUSE



Fully Extended PHUSE

PTI offers the widest assortment of ball bearing inserts and housings in the industry. We stock over 400 housing types including popular European metric, Pacific metric and American standard configurations. Stock product available through 140mm (metric), 4" (American standard). Corrosion-resistant products are also available. Contact your PTI sales representative for more details.



P.T. INTERNATIONAL CORP.

P.O. Box 411244 (28241)
1817 Westinghouse Blvd. (28273)
Charlotte, NC, USA

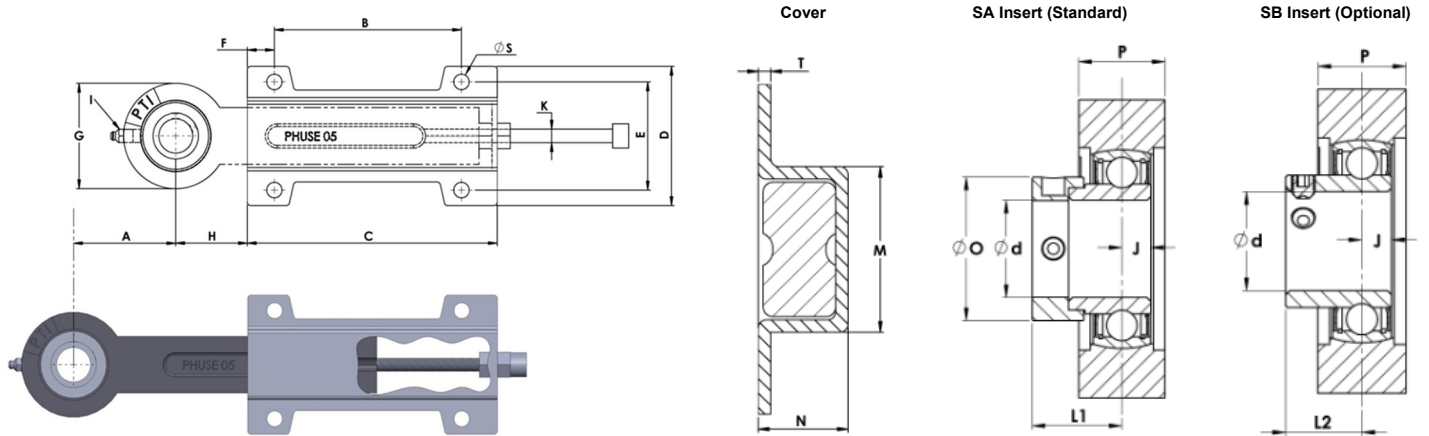
24/7 Hours Phone: (704) 588-1091

Toll Free: (800) 763-4434

Fax: (704) 588-5738

ptiinfo@ptintl.com www.ptintl.com

PHUSE Take-Up Frame Dimensions



Part No. with Eccentric Collar Bearing (SA)	Part No. with Set Screw Style Bearing (SB)	Shaft Size d	Dimensions (mm / in)																	Eccentric Collar Insert Bearing (SA)	Set Screw Insert Bearing (SB)		
			Travel A	B	C	D	E	F	G	H	I	J	K	L1 (SA)	L2 (SB)	M	N	O	P			S	T
PHUSE205-25mm	PHUSE205-25mmS	25mm	65	140	187	103	80	20	78	50	R1/8	31	M12	24	20	52	28	38	22	12	4	SA205-25mm	SB205-25mm
PHUSE205-14	PHUSE205-14S	7/8	2.56	5.51	7.36	4.06	3.15	0.79	3.07	1.97	R1/8	1.22	M12	0.93	0.77	2.05	1.10	1.48	0.87	0.45	0.16	SA205-14	SB205-14
PHUSE205-15	PHUSE205-15S	15/16																				SA205-15	SB205-15
PHUSE205-16	PHUSE205-16S	1																				SA205-16	SB205-16
PHUSE206-30mm	PHUSE206-30mmS	30mm	65	140	187	103	80	20	88	50	R1/8	36	M12	28	22	52	28	44	22	12	4	SA206-30mm	SB206-30mm
PHUSE206-18	PHUSE206-18S	1-1/8	2.56	5.51	7.36	4.06	3.15	0.79	3.46	1.97	R1/8	1.41	M12	1.09	0.87	2.05	1.10	1.73	0.87	0.45	0.16	SA206-18	SB206-18
PHUSE206-19	PHUSE206-19S	1-3/16																				SA206-19	SB206-19
PHUSE206-20	PHUSE206-20S	1-1/4																				SA206-20	SB206-20
PHUSE207-35mm	PHUSE207-35mmS	35mm	65	140	187	103	80	20	98	50	R1/8	39	M12	30	24	52	28	56	22	12	4	SA207-35mm	SB207-35mm
PHUSE207-20	PHUSE207-20S	1-1/4	2.56	5.51	7.36	4.06	3.15	0.79	3.86	1.97	R1/8	1.53	M12	1.20	0.93	2.05	1.10	2.01	0.87	0.45	0.16	SA207-20	SB207-20
PHUSE207-22	PHUSE207-22S	1-3/8																				SA207-22	SB207-22
PHUSE207-23	PHUSE207-23S	1-7/16																				SA207-23	SB207-23
PHUSE208-40mm	PHUSE208-40mmS	40mm	80	180	256	130	100	20	108	60	R1/8	44	M16	35	25	60	36	60	30	14	4	SA208-40mm	SB208-40mm
PHUSE208-24	PHUSE208-24S	1-1/2	3.15	7.09	10.08	5.12	3.94	0.79	4.25	2.36	R1/8	1.72	M16	1.37	0.98	2.36	1.42	2.28	1.18	0.55	0.16	SA208-24	SB208-24
PHUSE210-50mm	PHUSE210-50mmS	50mm	80	180	256	130	100	20	120	60	R1/8	44	M16	34	33	60	36	70	30	14	4	SA210-50mm	SB210-50mm
PHUSE210-30	PHUSE210-30S	1-7/8	3.15	7.09	10.08	5.12	3.94	0.79	4.72	2.36	R1/8	1.72	M16	1.35	1.28	2.36	1.42	2.72	1.18	0.55	0.16	SA210-30	SB210-30
PHUSE210-31	PHUSE210-31S	1-15/16																				SA210-31	SB210-31
PHUSE210-32	PHUSE210-32S	2																				SA210-32	SB210-32



ISO 9001-2008 Certified

P.T. INTERNATIONAL CORP.

P.O. Box 411244 (28241)
 1817 Westinghouse Blvd. (28273)
 Charlotte, NC, USA
 (24/7 Hours) Ph: (704) 588-1091
 Ph: (800) 763-4434
 Fax: (704) 588-5738
ptinfo@ptintl.com www.ptintl.com