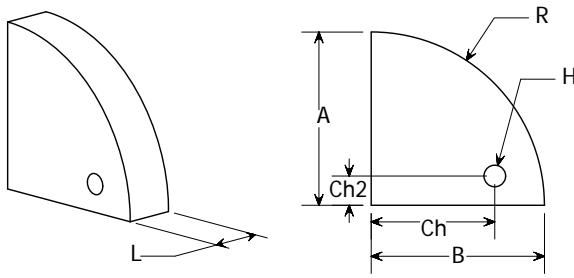


POBCO Custom Parts

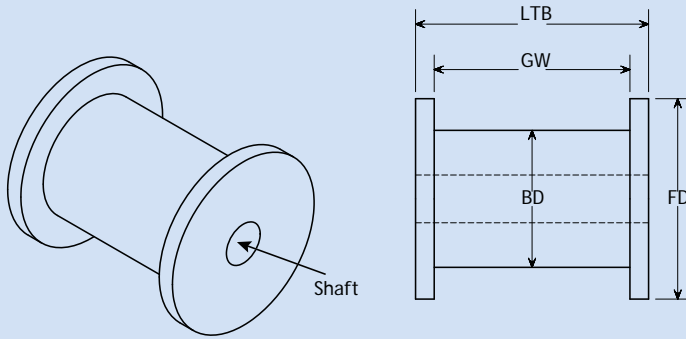
Commonly furnished in UHMW and other UHMW grades

Chain Tensioners



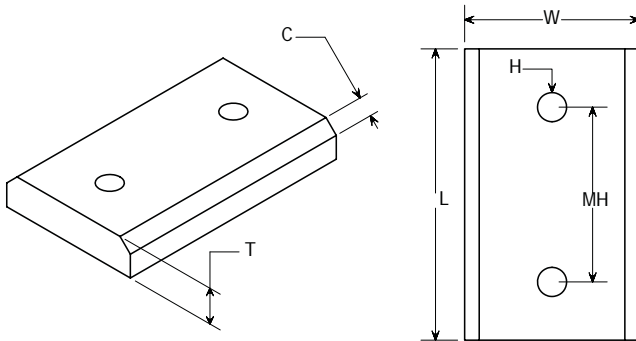
Material	
A	
B	
Ch	
Ch2	
Hole Diameter	
Radius	
L	

Idler Wheels



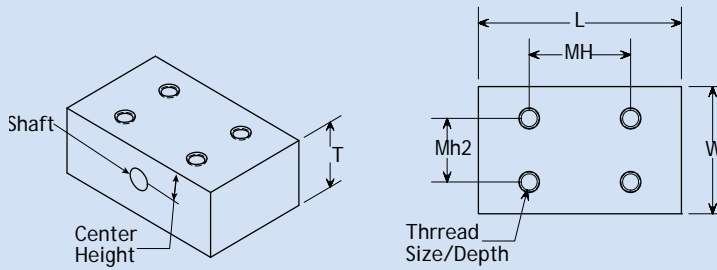
Material	
Shaft Size	
Flange Dia.	
Barrel Dia.	
Groove Width	
Length Thru-Bore	

Wear Pads



Material	
Thickness	
Chamber	
Width	
Length	
MH	
Hole Size	

Linear Blocks



Material	
Shaft Size	
Length	
Width	
Thickness	
MH	
Mh2	
Center Height	
Thread Size/Depth	