

# CORROSION RESISTANT STAND-OFF SERIES MOUNTED BEARING UNITS

# IPTCI

BEARINGS

IPTCI Bearings introduces the new Stand-Off Series. These all-stainless mounted units are designed with extended mounting pads to reduce housing-to-mounting surface contact and create approximately  $\frac{1}{2}$ " of clearance underneath the bearing unit.\*

\* This clearance applies to all styles and sizes. Note: The space behind the insert is larger than  $\frac{1}{2}$ "



B-type Seal

All units are shown with SUC stainless inserts, the Stand-Off Series is also available with stainless eccentric locking collar inserts, called SNA.

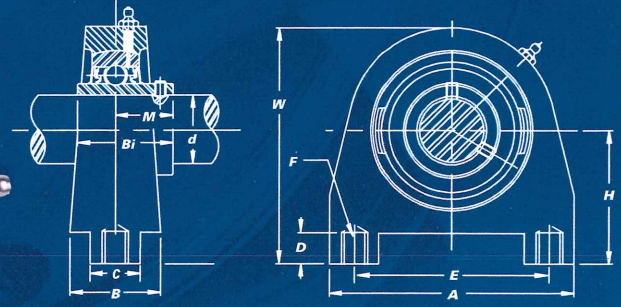
Balls & Rings	440 Stainless Steel
Seal	Silicone Rubber
Seal Frame & Slinger	302 Stainless Steel
Retainer	302 Stainless Steel
Set Screws	410 Stainless Steel
Lubrication	H-1 Food Grade Grease
Housing	304 Stainless Steel



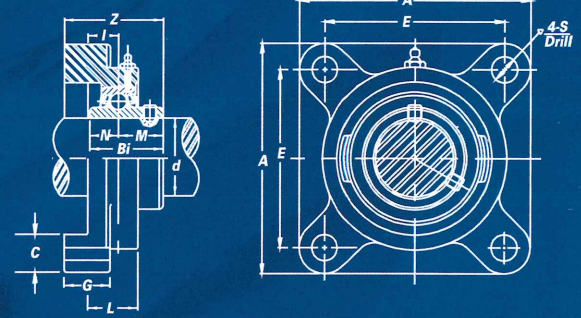
L3-type Seal

L-3 type seal available in limited sizes for SUC and SNA. Consult IPTCI for availability and speed limitations.

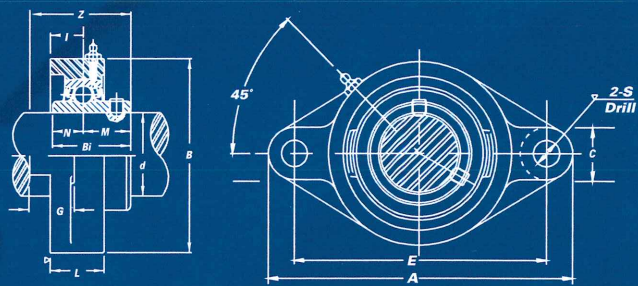
## TAPPED BASE PILLOW BLOCK SUCSOPA



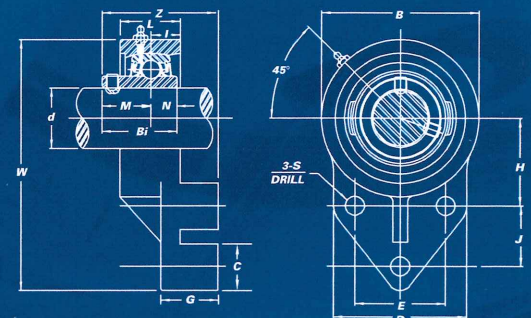
## 4-BOLT FLANGE SUCSOF



## 2-BOLT FLANGE SUCSOFL



## 3-BOLT FLANGE BRACKET SUCSOFB



## TAPPED BASE PILLOW BLOCK SUCSOPA

Unit No.	Shaft Dia. d		Dimensions (in.) (mm)											Bearing No.	Housing No.	Weight (lbs.)
	(in.)	(mm)	H	A	E	B	C	W	F-Tapped Holes	D-Min Tap Depth	M	Bi				
SUCSOPA 201-8	1/2		1 13/16	2 7/8	2	1 1/2	1	3 1/16	3/8"-16	1/2	0.7205	1.2205	SUC 201-8	SOPA 204	1.8	
202-10	5/8		46.0	73	50.8	38	25	78	UNC	13	18.3	31.0	SUC 202-10	SOPA 204	1.8	
SUCSOPA 204-12	3/4		1 13/16	2 7/8	2	1 1/2	1	3 1/16	3/8"-16	1/2	0.7205	1.2205	SUC 204-12	SOPA 204	1.7	
204		20	46.0	73	50.8	38	25	78	UNC	13	18.3	31.0	SUC 204	SOPA 204	1.7	
SUCSOPA 205-14	7/8		1 13/16	3	2	1 1/2	1	3 3/16	3/8"-16	1/2	0.7756	1.3386	SUC 205-14	SOPA 205	2.0	
205		25	49.2	76	50.8	38	25	84	UNC	13	19.7	34.0	SUC 205	SOPA 205	2.0	
SUCSOPA 205-16	1												SUC 205-16	SOPA 205	2.0	
SUCSOPA 206-18	1 1/8												SUC 206-18	SOPA 206	3.0	
206		30	2 3/16	4	3	1 1/2	1	3 7/8	7/16"-14	5/8	0.8740	1.5000	SUC 206	SOPA 206	3.0	
206-19	1 3/16		55.6	102	76.2	38	25	98	UNC	16	22.2	38.1	SUC 206-19	SOPA 206	3.0	
206-20	1 1/4 S												SUC 206-20	SOPA 206	3.0	
SUCSOPA 207-20	1 1/4												SUC 207-20	SOPA 207	4.1	
207-21	1 5/16		2 3/8	4 1/4	3 1/4	1 7/8	1 13/64	4 1/4	1/2"-13	3/4	1.0000	1.6890	SUC 207-21	SOPA 207	4.1	
207-22	1 3/8		60.3	108	82.6	48	31	108	UNC	19	25.4	42.9	SUC 207-22	SOPA 207	4.1	
207		35											SUC 207	SOPA 207	4.1	
207-23	1 7/16												SUC 207-23	SOPA 207	4.1	
SUCSOPA 208-24	1 1/2		2 7/16	4 5/8	3 1/2	1 7/8	1 13/64	4 7/16	1/2"-13	3/4	1.1890	1.9370	SUC 208-24	SOPA 208	4.7	
208		40	61.9	117	88.9	48	31	113	UNC	19	30.2	49.2	SUC 208	SOPA 208	4.7	

## 4-BOLT FLANGE SUCSOF

Unit No.	Shaft Dia. d		Dimensions (in.) (mm)											Bolt Used (in.)	Bearing No.	Housing No.	Weight (lbs.)	
	(in.)	(mm)	A	E	C	I	G	L	S	Z	Bi	N	M					
SUCSOF 201-8	1/2		3 3/8	2 1/2	7/8	19/32	15/16	1	7/16	1 13/16	1.2205	0.5000	0.7205	3/8	SUC 201-8	SOF 204	1.9	
202-10	5/8		86	64	22	15	24	25.4	11	46.0	31.0	12.7	18.3	SUC 202-10	SOF 204	1.9		
SUCSOF 204-12	3/4		3 3/8	2 1/2	7/8	19/32	15/16	1	7/16	1 13/16	1.2205	0.5000	0.7205	3/8	SUC 204-12	SOF 204	1.9	
204		20	86	64	22	15	24	25.4	11	46.0	31.0	12.7	18.3	SUC 204	SOF 204	1.9		
SUCSOF 205-14	7/8		3 3/4	2 3/4	63/64	5/8	1	1 1/16	29/64	1 29/32	1.3386	0.5630	0.7756	3/8	SUC 205-14	SOF 205	2.5	
205		25	95	70	24	16	25	27	11.5	48.4	34.0	14.3	19.7	SUC 205	SOF 205	2.5		
SUCSOF 205-16	1													SUC 205-16	SOF 205	2.5		
SUCSOF 206-18	1 1/8													SUC 206-18	SOF 206	3.4		
206		30	4 1/4	3 1/4	1	45/64	1	1 7/32	33/64	2 3/32	1.5000	0.6260	0.8740	7/16	SUC 206	SOF 206	3.4	
206-19	1 3/16		108	83	25	18	25	31	13	53.2	38.1	15.9	22.2	SUC 206-19	SOF 206	3.4		
206-20	1 1/4 S													SUC 206-20	SOF 206	3.4		
SUCSOF 207-20	1 1/4													SUC 207-20	SOF 207	4.2		
207-21	1 3/16		4 19/32	3 5/8	1	3/4	1 3/32	1 11/32	33/64	2 1/4	1.6890	0.6890	1.0000	7/16	SUC 207-21	SOF 207	4.2	
207-22	1 3/8		117	92	25	19	28	34	13	57.2	42.9	17.5	25.4	SUC 207-22	SOF 207	4.2		
207		35												SUC 207	SOF 207	4.2		
207-23	1 7/16													SUC 207-23	SOF 207	4.2		
SUCSOF 208-24	1 1/2		5 1/8	4	1 7/64	53/64	1	1 3/32	1 13/32	35/64	2 17/32	1.9370	0.7480	1.1890	1/2	SUC 208-24	SOF 208	5.3
208		40	130	102	28	21	28	36	14	64.3	49.2	19	30.2	SUC 208	SOF 208	5.3		

## 2-BOLT FLANGE SUCSOFL

Unit No.	Shaft Dia. d		Dimensions (in.) (mm)											Bolt Used (in.)	Bearing No.	Housing No.	Weight (lbs.)	
	(in.)	(mm)	A	E	I	G	L	S	B	C	Z	Bi	N					M
SUCSOFL 204-8	1/2														SUC 204-8	SOFL 204	1.3	
204-10	5/8		4 15/32	3 17/32	19/32	15/16	1	25/64	2 3/8	31/32	1 13/16	1.2205	0.5000	0.7205	5/16	SUC 204-10	SOFL 204	1.3
SUCSOFL 204-12	3/4		114	89.7	15	24	25	10	60	24	46.0	31.0	12.7	18.3	SUC 204-12	SOFL 204	1.3	
204		20													SUC 204	SOFL 204	1.3	
SUCSOFL 205-14	7/8		4 7/8	3 57/64	5/8	1	1 1/16	15/32	2 11/16	1	1 29/32	1.3386	0.5630	0.7756	3/8	SUC 205-14	SOFL 205	1.6
205		25	124	98.8	16	25	27	11.9	68	25	48.4	34.0	14.3	19.7	SUC 205	SOFL 205	1.6	
SUCSOFL 205-16	1														SUC 205-16	SOFL 205	1.6	
SUCSOFL 206-18	1 1/8														SUC 206-18	SOFL 206	2.3	
206		30	5 9/16	4 19/32	45/64	1	1 7/32	15/32	3 5/32	61/64	2 3/32	1.5000	0.6260	0.8740	3/8	SUC 206	SOFL 206	2.3
206-19	1 3/16		141	116.7	18	25	31	11.9	80	24	53.2	38.1	15.9	22.2	SUC 206-19	SOFL 206	2.3	
206-20	1 1/4 S														SUC 206-20	SOFL 206	2.3	
SUCSOFL 207-20	1 1/4														SUC 207-20	SOFL 207	3.0	
207-21	1 3/16		6 1/8	5 1/8	3/4	1 1/16	1 11/32	33/64	3 17/32	1	2 1/4	1.6890	0.6890	1.0000	7/16	SUC 207-21	SOFL 207	3.0
207-22	1 3/8		155	130.2	19	27	34	13	90	25	57.2	42.9	17.5	25.4	SUC 207-22	SOFL 207	3.0	
207		35													SUC 207	SOFL 207	3.0	
207-23	1 7/16														SUC 207-23	SOFL 207	3.0	
SUCSOFL 208-24	1 1/2		6 3/4	5 21/32	53/64	1 1/16	1 13/32	33/64	3 15/16	1 5/64	2 1/2	1.9370	0.7480	1.1890	7/16	SUC 208-24	SOFL 208	3.9
208		40	171	143.7	21	27	36	13	100	27	63.5	49.2	19.0	30.2	SUC 208	SOFL 208	3.9	

## 3-BOLT FLANGE BRACKET SUCSOFB

Unit No.	Shaft Dia. d		Dimensions (in.) (mm)														Bolt Used (in.)	Bearing No.	Housing No.	Weight (lbs.)	
	(in.)	(mm)	W	B	D	C	L	S	G	H	J	E	I	Z	Bi	N					M
SUCSOFB 201-8	1/2		4 1/4	2 1/2	2 3/8	53/64	1	25/64	13/16	1 11/16	7/8	1 1/2	3/8	1 55/64	1.2205	0.5000	0.7205	5/16	SUC 201-8	SOFB 204	1.5
202-10	5/8		108	64	60	21	25	9.9	21	43.3	22.2	38.1	16	47.2	31.0	12.7	18.3	SUC 202-10	SOFB 204	1.5	
SUCSOFB 204-12	3/4		4 1/4	2 1/2	2 3/8	53/64	1	25/64	13/16	1 11/16	7/8	1 1/2	3/8	1 55/64	1.2205	0.5000	0.7205	5/16	SUC 204-12	SOFB 204	1.4
204		20	108	64	60	21	25	9.9	21	43.3	22.2	38.1	16	47.2	31.0	12.7	18.3	SUC 204	SOFB 204	1.4	
SUCSOFB 205-14	7/8		4 3/4	2 3/4	2 1/2	53/64	1 1/8	25/64	7/8	1 13/16	1 1/8	1 5/8	2 1/32	1 59/64	1.3386	0.5630	0.7756	5/16	SUC 205-14	SOFB 205	2.0
205		25	121	70	64	23	29	9.9	22	46.0	28.6	41.3	16.5	48.8	34.0	14.3	19.7	SUC 205	SOFB 205	2.0	
SUCSOFB 205-16	1																	SUC 205-16	SOFB 205	2.0	
SUCSOFB 206-18	1 1/8																	SUC 206-18	SOFB 206	2.7	
206		30	5 3/8	3 1/4	2 3/4	53/64	1 1/4	25/64	7/8	2 1/16	1 1/4	1 7/8	45/64	2 5/64	1.5000	0.6260	0.8740	5/16	SUC 206	SOFB 206	2.7
206-19	1 3/16		137	83	70	23	32	9.9	22	52.4	31.8	47.6	18	52.8	38.1	15.9	22.2	SUC 206-19	SOFB 206	2.7	
206-20	1 1/4 S																	SUC 206-20	SOFB 206	2.7	
SUCSOFB 207-20	1 1/4																	SUC 207-20	SOFB 207	4.0	
207-21	1 3/16		6 1/8	3 3/4	3 1/4	1	1 7/16	34/64	1	2 3/8	1 1/4	2	53/64	2 21/64	1.6890	0.6890	1.0000	7/16	SUC 207-21</		